



US00D515940S

(12) **United States Design Patent**  
**Kratko**

(10) **Patent No.:** **US D515,940 S**

(45) **Date of Patent:** **\*\* Feb. 28, 2006**

(54) **LIQUID BEVERAGE CONTAINER**

(76) Inventor: **Irina Kratko**, 46 Zemlyanoi Val, Apt.  
76, Moscow (RU), 105064

(\*\*) Term: **14 Years**

(21) Appl. No.: **29/218,845**

(22) Filed: **Dec. 8, 2004**

(51) **LOC (8) Cl.** ..... **09-01**

(52) **U.S. Cl.** ..... **D9/745; D9/560**

(58) **Field of Classification Search** ..... D9/738,  
D9/743-746, 516, 505, 529, 544-545, 560,  
D9/572-573, 575; 215/6, 10, 12.1, 382

See application file for complete search history.

(56) **References Cited**

**U.S. PATENT DOCUMENTS**

D31,179 S	*	7/1899	Low	.....	D9/560
769,615 A	*	9/1904	Kosansvich	.....	215/10
D72,687 S		5/1927	Vionnet		
D91,366 S	*	1/1934	Piazzoli	.....	D9/560
2,374,092 A	*	4/1945	Glaser	.....	215/6
2,641,374 A	*	6/1953	Der Yuen	.....	215/10
2,960,248 A	*	11/1960	Kuhlman	.....	215/10
2,973,119 A		2/1961	Parker		
3,160,326 A		12/1964	Sturdevant et al.		
3,391,824 A	*	7/1968	Wiseman	.....	215/10 X
D222,826 S		1/1972	Newman		
3,765,574 A		10/1973	Urquiza		
D233,415 S	*	10/1974	Stock	.....	D9/529
D259,173 S	*	5/1981	Lauren	.....	D9/560
D278,032 S		3/1985	de Mourgues		
5,211,299 A	*	5/1993	Manfredonia	.....	215/10 X
5,232,108 A	*	8/1993	Nakamura	.....	215/6
D386,949 S	*	12/1997	McArdle	.....	D7/590

5,782,358 A	*	7/1998	Walker	.....	220/23.4 X
D416,807 S	*	11/1999	Varlet	.....	D9/560
D422,906 S		4/2000	Mellish		
D454,502 S	*	3/2002	Legros	.....	D9/544
D455,079 S		4/2002	Kratko		
D487,697 S	*	3/2004	Rosen	.....	D9/745
D494,476 S	*	8/2004	Cwynar-Laska et al.	.....	D9/560

**FOREIGN PATENT DOCUMENTS**

GB	2029398	*	6/1993
GB	2036726	*	6/1994

\* cited by examiner

*Primary Examiner*—Carol Rademaker

(74) *Attorney, Agent, or Firm*—James C. Nemmers

(57) **CLAIM**

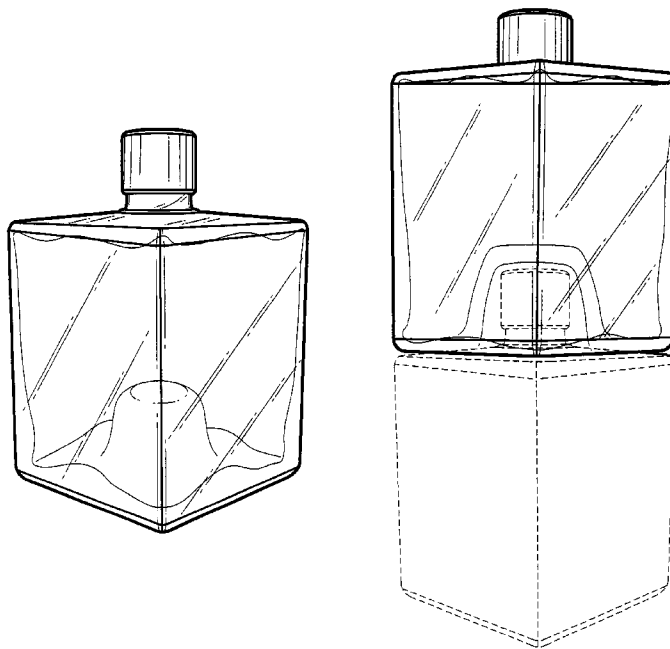
The ornamental design for a liquid beverage container, as shown and described.

**DESCRIPTION**

FIG. 1 is a front elevational view of the liquid beverage container of the invention; FIG. 2 is a left side elevational view of the container; FIG. 3 is a bottom view of the container; FIG. 4 is a top view of the container; FIG. 5 is a perspective view of the container; and, FIG. 6 is a perspective view of two stacked liquid beverage containers, each showing my new design, with the additional liquid beverage container being shown in broken lines for illustrative purposes only since the stack itself forms no part of the claimed design.

The liquid beverage container of the invention is formed from transparent material.

**1 Claim, 4 Drawing Sheets**



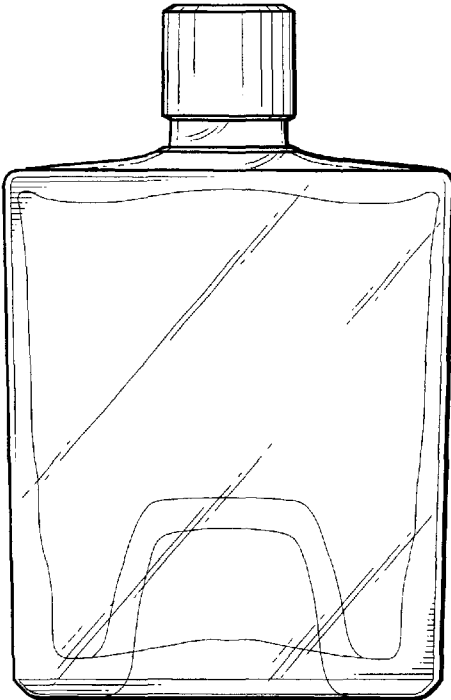


FIG. 1

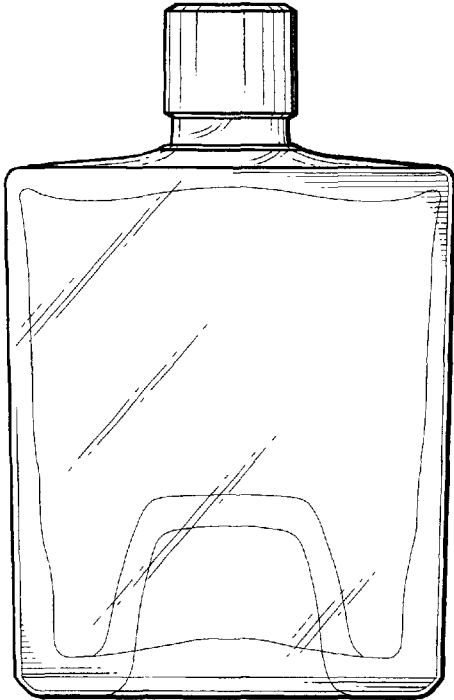


FIG. 2

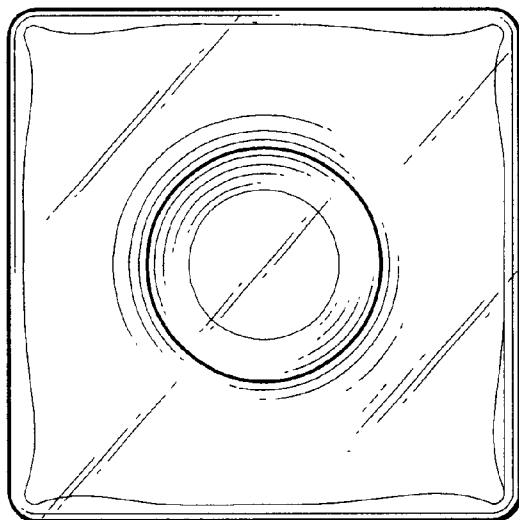


FIG.3

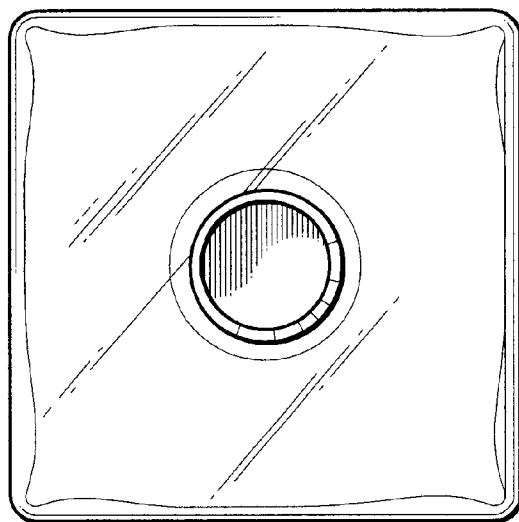


FIG.4

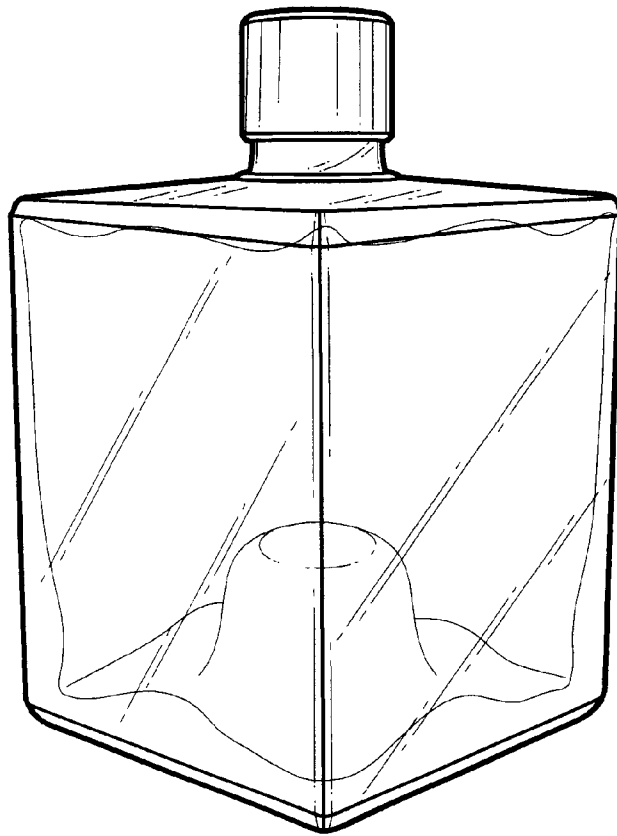


FIG. 5

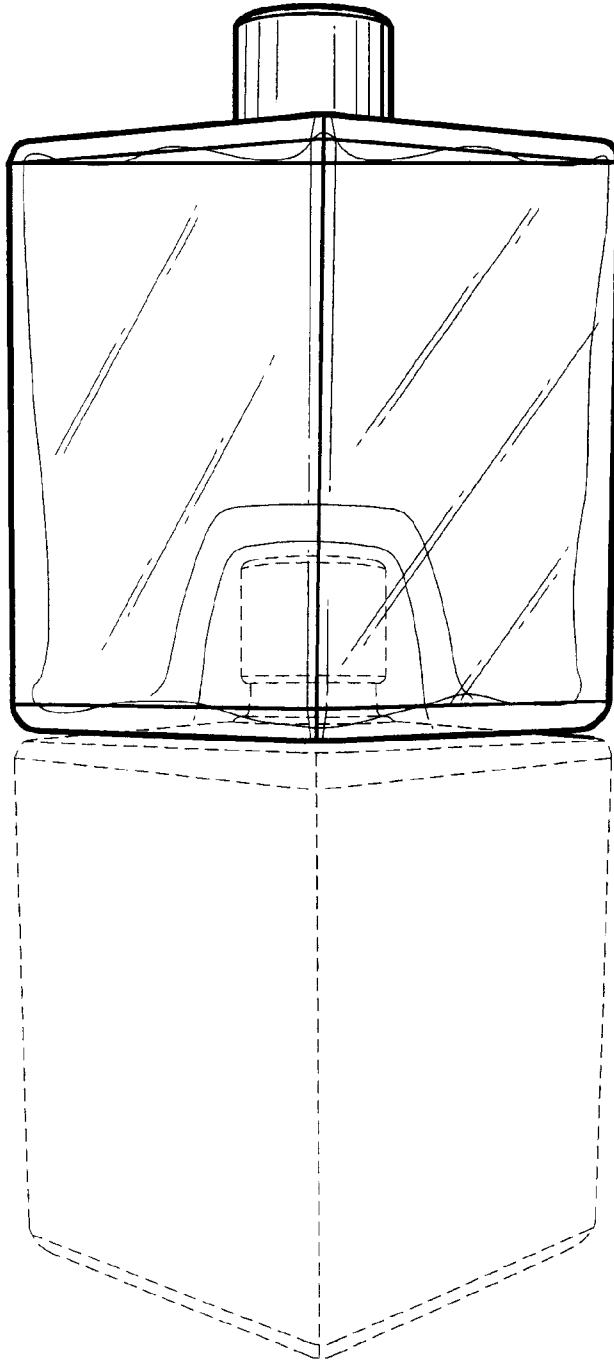


FIG. 6